

SAA SERIES

Modular Arrays

Product Description

The SAA2F1 Series 4 comprises two IDM5300LE2F Series 4G light engines designed as a direct replacement for existing HID and MH floodlight luminaires (refer to separate light engine spec sheet for additional details). With exceptional lifetime rating exceeding 70,000 hours this compact unit not only provides significant energy savings but also added benefits of zero strike time, reduced maintenance costs and enhanced safety. Illuminated by Citizen powered by MEANWELL and constructed to exacting standards by PLUM the SAA2F1 Series 4 guarantees customer satisfaction

Performance Summary

Delivered Light Output: 40,000 Lumens

Luminaire Input Power: 340 Watts

CRI: Ra 70 -80

CCT: 5000K, 4000K, 3000K @ CRI 70
6500K, 5000K, 4000K, 3500K, 3000K, 2700K @ CRI 80

Input Voltage: 90 - 264 Vac

Frequency: 47 - 63 Hz

Power Factor: 0.96

Efficacy: >117 Lumens/Watt

IP Rating: IP65

IK Rating: IK08

Working Life: > 70,000 Hours @ 40°C

Temperature Range: -30 to 40°C (No Lumen Loss) 53°C Max

Weight: 7.90 Kg Maximum

Features

Light Source: Citizen CLU 048

Driver: Meanwell HBG160-60A

Mounting: Bracket with Inclinator featuring independent Light Engine adjustment for more efficient beam distribution
(Refer to website for full mounting flexibility)

Materials: Fully Anodised 6061-T6 Aluminium Alloy & 304 SS Hardware

Warranty: 10 Years *

Certification: RCM CE

Photometry

Refer to appropriate light engine data at www.plumled.com.au/photometry for detailed photometric information.

Contact Details

PLum LED Australia

36 Harris Road, Malaga, Western Australia 6090

sales@plumled.com.au

www.plumled.com.au

Ph: +618 9248 2183

Fax: +618 9209 3457



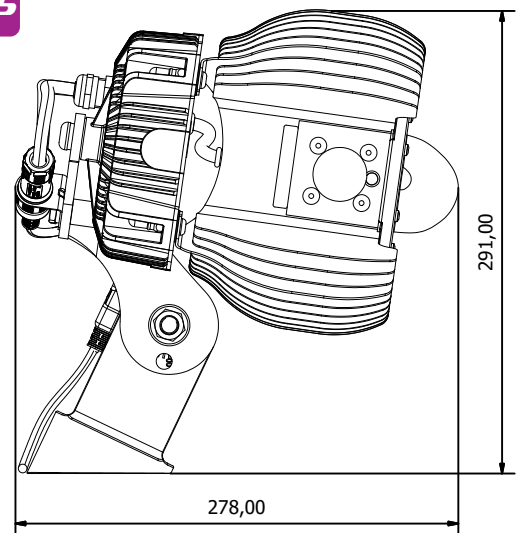
SAA2F1 SERIES 3



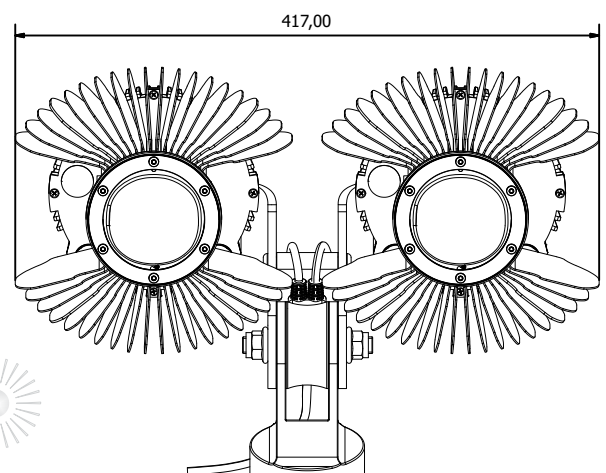
IK08

IP65

• Patent Pending



Dimensions in mm



* Log on to www.plumled.com.au/warranty for detailed warranty description and conditions

© 2014 Pled Australia Pty Ltd. Trading as Plum LED Australia. All rights reserved. For informational purposes only See www.plumled.com.au/patents for all patent and IP information that covers these products. Plum LED and the Plum logo are registered trademarks of Pled Australia Pty Ltd

CITILED
The Light Engine

MW
MEANWELL

