

# SAA SERIES

Modular Arrays

## Product Description

The SAA1H1D Series 4 comprises a single dimmable IDM5300LE2H Series 4DG light engine designed as a direct replacement for existing HID and MH high-bay luminaires (refer to separate light engine spec sheet for additional details). With exceptional lifetime rating exceeding 70,000 hours this compact unit not only provides significant energy savings but also added benefits of zero strike time, reduced maintenance costs and enhanced safety. Illuminated by Citizen powered by MEANWELL and constructed to exacting standards by PLUM the SAA1HD1 Series 4 guarantees customer satisfaction

## Performance Summary

**Delivered Light Output:** 2,000 - 20,000 Lumens

**Luminaire Input Power:** 17 - 170 Watts

**CRI:** Ra 70 -80

**CCT:** 5000K, 4000K, 3000K @ CRI 70  
6500K, 5000K, 4000K, 3500K, 3000K, 2700K @ CRI 80

**Input Voltage:** 90 - 264 Vac

**Frequency:** 47 - 63 Hz

**Power Factor:** 0.96

**Efficacy:** >117 Lumens/Watt

**IP Rating:** IP65

**IK Rating:** IK08

**Working Life:** > 70,000 Hours @ 40°C

**Temperature Range:** -30 to 40°C (No Lumen Loss) 53°C Max

**Weight:** 3.20 Kg Maximum

## Features

**Light Source:** Citizen CLU 048

**Driver:** Meanwell HBG160-60B (Dimming 1-10V, PWM, 10-100 KOhm Resistance)

**Mounting:** Pendant, Hook & Cord or Direct M10 Purlin Mount

**Materials:** Fully Anodised 6061-T6 Aluminium Alloy & 304 SS Hardware

**Warranty:** 10 Years \*

**Certification:** RCM CE

## Photometry

Refer to appropriate light engine data at [www.plumled.com.au/photometry](http://www.plumled.com.au/photometry) for detailed photometric information.

## Contact Details

PLum LED Australia

36 Harris Road, Malaga, Western Australia 6090

[sales@plumled.com.au](mailto:sales@plumled.com.au)

[www.plumled.com.au](http://www.plumled.com.au)

Ph: +618 9248 2183

Fax: +618 9209 3457



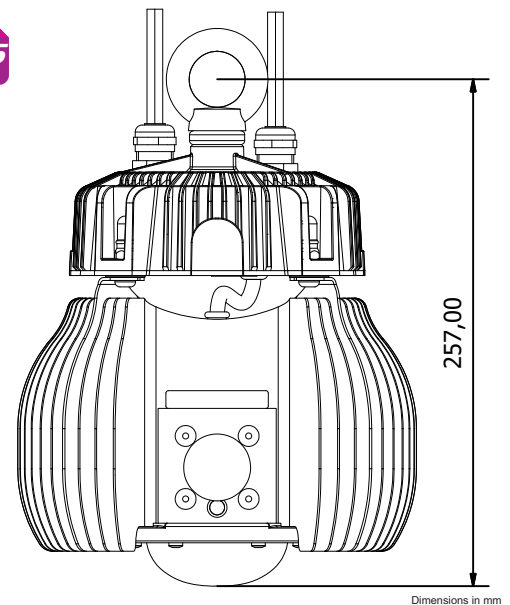
## SAA1H1D SERIES 4



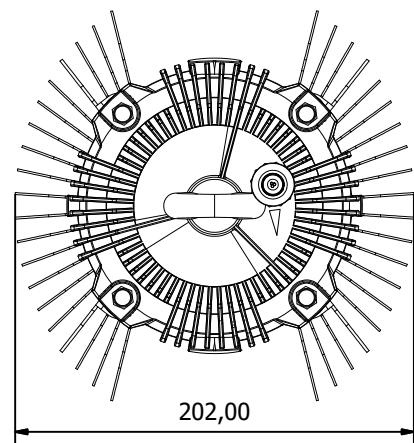
IK08

IP65

\* Patent Pending



Dimensions in mm



\* Log on to [www.plumled.com.au/warranty](http://www.plumled.com.au/warranty) for detailed warranty description and conditions

© 2014 Pled Australia Pty Ltd. Trading as Plum LED Australia. All rights reserved. For informational purposes only See [www.plumled.com.au/patents](http://www.plumled.com.au/patents) for all patent and IP information that covers these products. Plum LED and the Plum logo are registered trademarks of Pled Australia Pty Ltd

CITILED  
The Light Engine

MW  
MEANWELL

