

# SAA SERIES

Modular Arrays


## Product Description

The IDM5300LE2F Series 4G light engine forms the cornerstone of all the standard SAA series of modular arrays. Boasting a number of features, setting it apart from current LED fittings globally, its revolutionary 'Patent Pending' heat sink combined with state of the art Citizen LED Chips and MeanWell HBG series Drivers form a flexible, self contained, life matched reliable module that can be adapted to accommodate a myriad of modern lighting applications and demands as well as replacing current superseded Metal Halide, Sodium, and Fluorescent luminaires. This module is a stand alone Light Engine. It is designed to be used as a single luminaire or as part of a larger array of multiple units. Total light output is only limited by space and mechanical mounting constraints. Design your own custom array or log on to [www.plumled.com.au](http://www.plumled.com.au) to review examples of the SAA pre-assembled array permutations applicable to this light engine.

## Performance Summary

<b>Delivered Light Output:</b> 20,000 Lumens
<b>Luminaire Input Power:</b> 170 Watts
<b>CRI:</b> Ra 70 -80
<b>CCT:</b> 5000K, 4000K, 3000K @ CRI 70 6500K, 5000K, 4000K, 3500K, 3000K, 2700K @ CRI 80
<b>Input Voltage:</b> 90 - 264 Vac
<b>Frequency:</b> 47 - 63 Hz
<b>Power Factor:</b> 0.96
<b>Efficacy:</b> >117 Lumens/Watt
<b>IP Rating:</b> IP65
<b>IK Rating:</b> IK08
<b>Working Life:</b> > 70,000 Hours @ 40°C
<b>Temperature Range:</b> -30 to 40°C(No Lumen Loss) 53°C Max
<b>Weight:</b> 3.23 Kg Maximum

## Features

<b>Light Source:</b> Citizen CLU048
<b>Driver:</b> Meanwell HBG160-60A
<b>Mounting:</b> Mounting points marked thus  consist of four M6 x 1mm studs and one central M10 x 1.5mm female boss. Any permutation of any two 6.00 mm mounting points or the central 10mm mount will provide full support for the unit with a safety factor of 5 (Refer to website for full mounting flexibility)
<b>Lens:</b> Fitted with general purpose Borosilicate Glass Flood lens (See reverse for photometric data) Custom lenses available on request
<b>Materials:</b> Fully Anodised 6061-T6 Aluminium Alloy & 304 SS Hardware
<b>Warranty:</b> 10 Years *
<b>Certification:</b> RCM, CE

## Contact Details

PLum LED Australia

36 Harris Road, Malaga, Western Australia 6090

[sales@plumled.com.au](mailto:sales@plumled.com.au)

[www.plumled.com.au](http://www.plumled.com.au)

Ph: +618 9248 2183  
Fax: +618 9209 3457



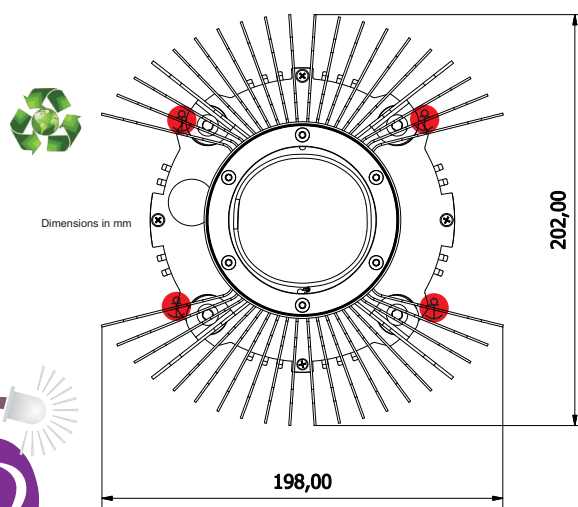
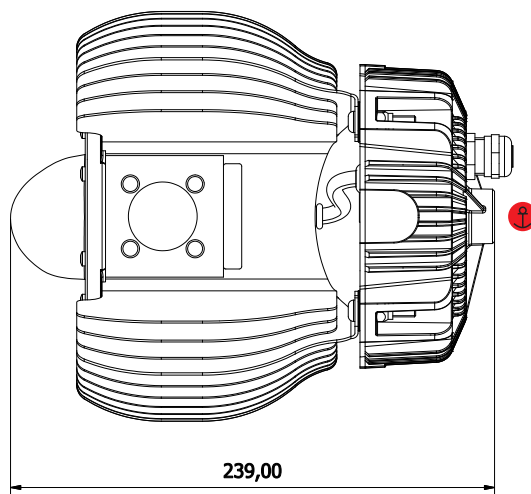
## IDM5300LE2F Series 4G LIGHT ENGINE



\* Patent Pending

IP65

IK08



\* Log on to [www.plumled.com.au/warranty](http://www.plumled.com.au/warranty) for detailed warranty description and conditions

© 2014 Pled Australia Pty Ltd. Trading as Plum LED Australia. All rights reserved. For informational purposes only See [www.plumled.com.au/patents](http://www.plumled.com.au/patents) for all patent and IP information that covers these products. Plum LED and the Plum logo are registered trademarks of Pled Australia Pty Ltd

CITILED  
The Light Engine

MW  
MEAN WELL

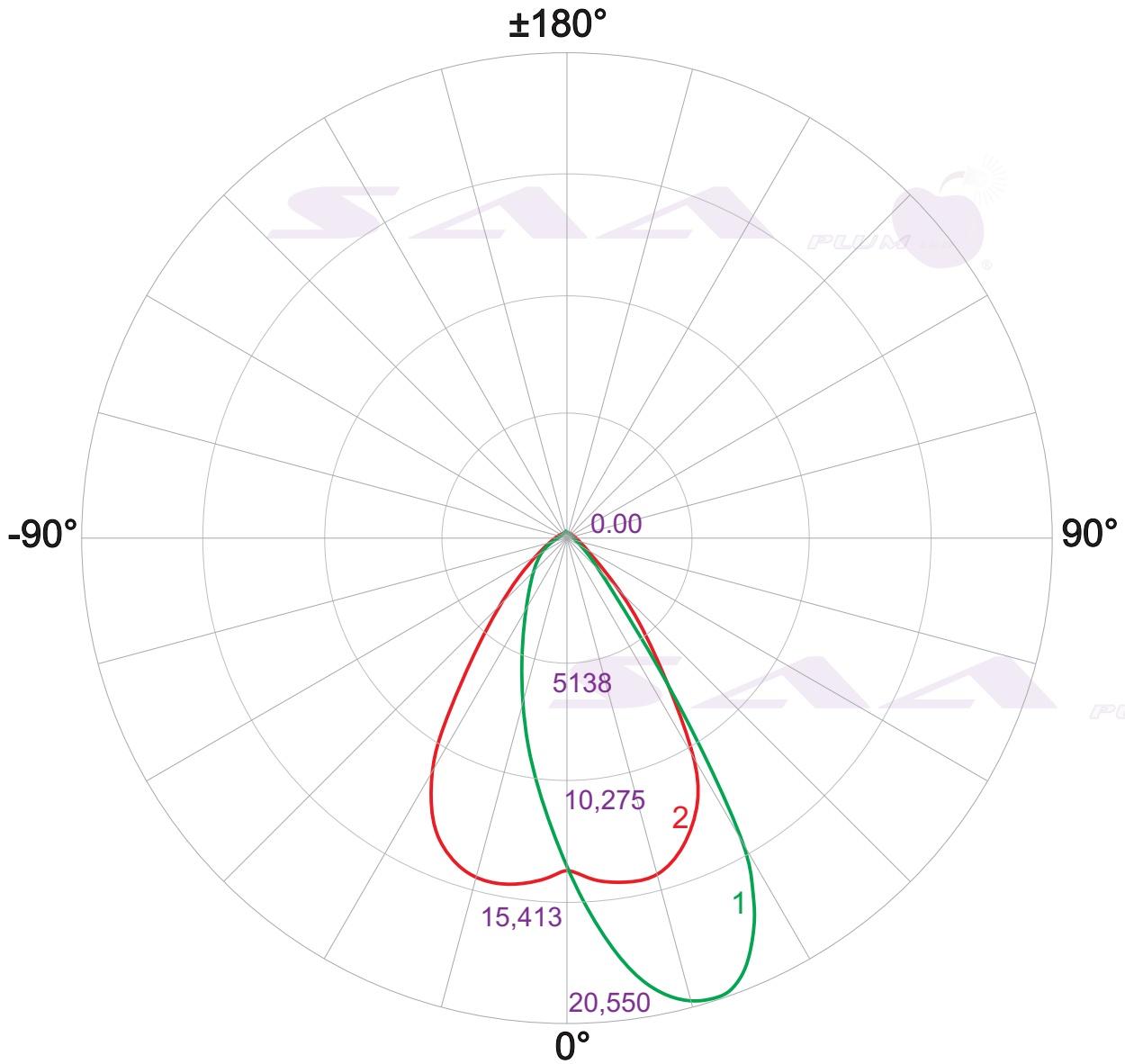


CE

## Photometry

Refer to additional light engine data at [www.plumled.com.au/photometry](http://www.plumled.com.au/photometry) for more detailed photometric information and IES file download

## Light Distribution Curve [Unit: cd]



C75(Max) Located H 15 V 20  
 C0/C180 ————  
 C90/C270 ————